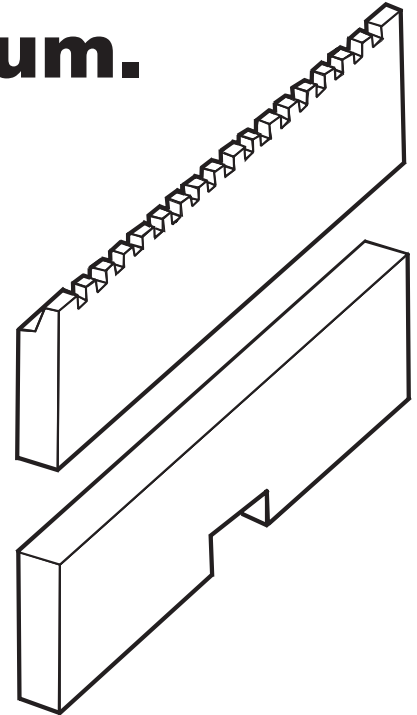


CARRIAGE BARS

(Face plates, bumper bars)

With ARROW Carriage Bars and a little welding, your downtime is kept to a minimum.

- Made from high strength carbon or alloy steels.
- Standard lengths in one-inch increments from 31" to 96".
- Class II, III & IV.
- Fast delivery!



Part #	Description	Bar Thickness	Bar Height	Bar Width	Class	Part #	Description	Bar Thickness	Bar Height	Bar Width	Class		
3402	Upper/Lower	2	2.375	By the Inch	II	3000	Upper	1.50	7	By the Inch	III		
							3050	Lower	1.50		7		III
1000	Upper	1.25	5			II	3403	Upper/Lower	2		2.75		III
1050	Lower	1.25	5			II							
2000	Upper	1.25	6			II	3500	Upper	2		6		III
2050	Lower	1.25	6			II	3550	Lower	2		6		III
2100	Upper	1.50	6			II	4000	Upper	2		7		IV
2150	Lower	1.50	6			II	4050	Lower	2		7		IV
IMPORTANT: When ordering carriage bars, please include both the part number and width required.						4200	Upper	2	6			IV	
						4250	Lower	2	6			IV	



800.821.7563

Visit us at:

AMHAttachments.com