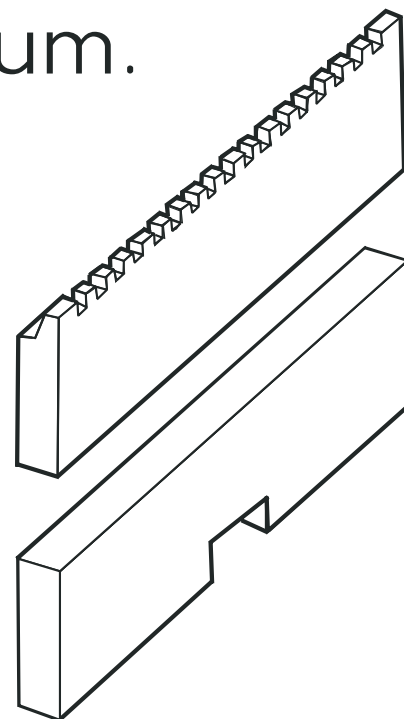


CARRIAGE BARS

(Face plates, bumper bars)

With ARROW Carriage Bars and a little welding, your downtime is kept to a minimum.

- Made from high strength carbon or alloy steels.
- Standard lengths in one-inch increments from 31" to 96".
- Class II, III & IV.
- Fast delivery!



Part #	Description	Bar Thickness	Bar Height	Bar Width	Class	Part #	Description	Bar Thickness	Bar Height	Bar Width	Class	
3402	Upper/Lower	2	2.375	By the Inch	II	3000	Upper	1.50	7	By the Inch	III	
						3050	Lower	1.50	7			III
1000	Upper	1.25	5		II	3403	Upper/Lower	2	2.75		III	
1050	Lower	1.25	5		II							
2000	Upper	1.25	6		II	3500	Upper	2	6		III	
2050	Lower	1.25	6		II	3550	Lower	2	6		III	
2100	Upper	1.50	6		II	4000	Upper	2	7		IV	
2150	Lower	1.50	6		II	4050	Lower	2	7		IV	
IMPORTANT: When ordering carriage bars, please include both the part number and width required.						4200	Upper	2	6	IV		
						4250	Lower	2	6	IV		



800-821-7563

1620 Oakland Avenue, Kansas City, MO 64126
 Phone (816)231-4410 • FAX: (816)241-9137
 E-mail: sales@AMHAttachments.com
 or visit: AMHAttachments.com